



WWW.BARRYIND.COM

RP1005CB-0000XN-91

CHIP RESISTOR

Features:

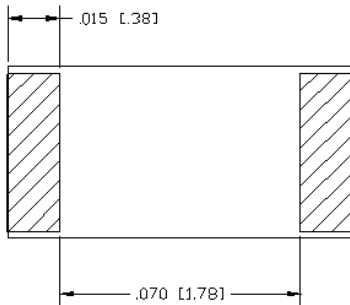
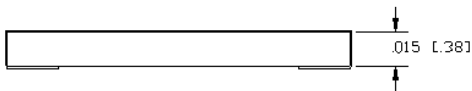
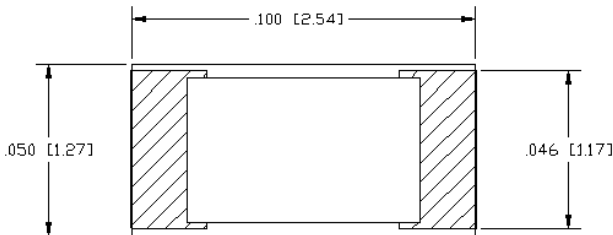
- ◆ Alumina Material
- ◆ Wrap Around
- ◆ X = +0.25 Ohm
- ◆ CB = Tin Lead over Nickel over Silver

General Description:

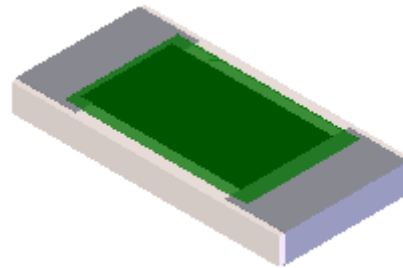
The RP1005CB-0000XN-91 is a 0 ohm (+ 0.25 ohm) wrap around style chip resistor. Its small size makes it ideal for miniature electronic components.

Temperature Coefficient:

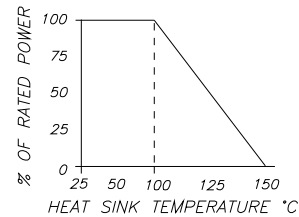
$\pm 250 \text{PPM}/^\circ\text{C}$ from -55°C to $+150^\circ\text{C}$
(Standard)



Dimensions in inches [mm]
Tolerance $\pm .005$ [.127]
unless otherwise stated



DERATING CURVE:



Parameter	Min.	Typ.	Max.	Units
Input Power			0.50	Watts
Resistance Tolerance		0	0.25	Ohms
Mounting Surface Temperature			100	°C

Barry Industries reserves the right to change part number and or process without notification.

Barry Industries, Inc., 60 Walton St., Attleboro, MA 02703 T: 508-226-3350 F: 508-226-3317 E-mail: ABSales@Vishay.com
Barry Industries maintains an ISO 9001 Certified Quality Management System

Origination Date	Revision Date	Rev.
11/11/09	11/11/09	-